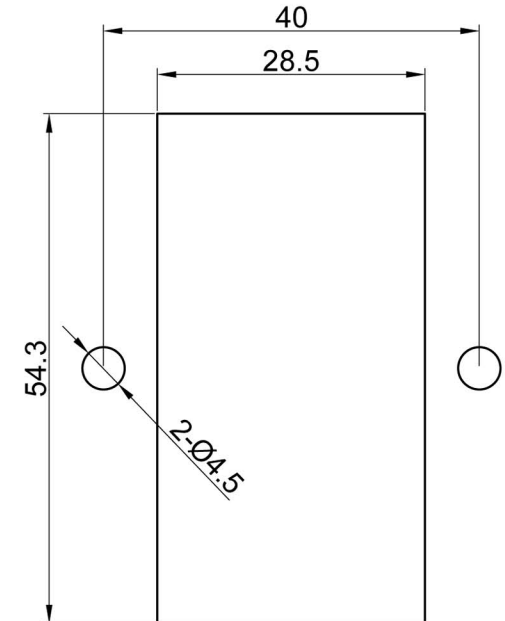
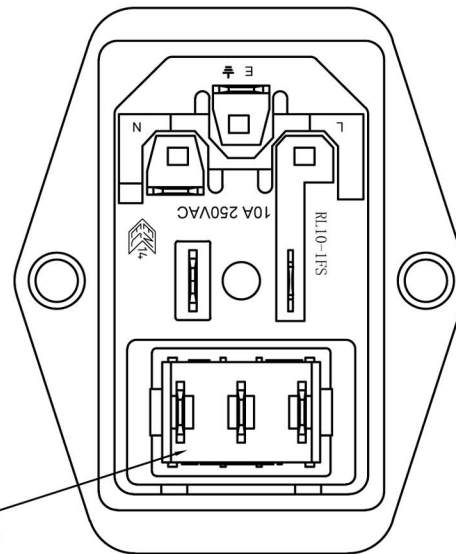
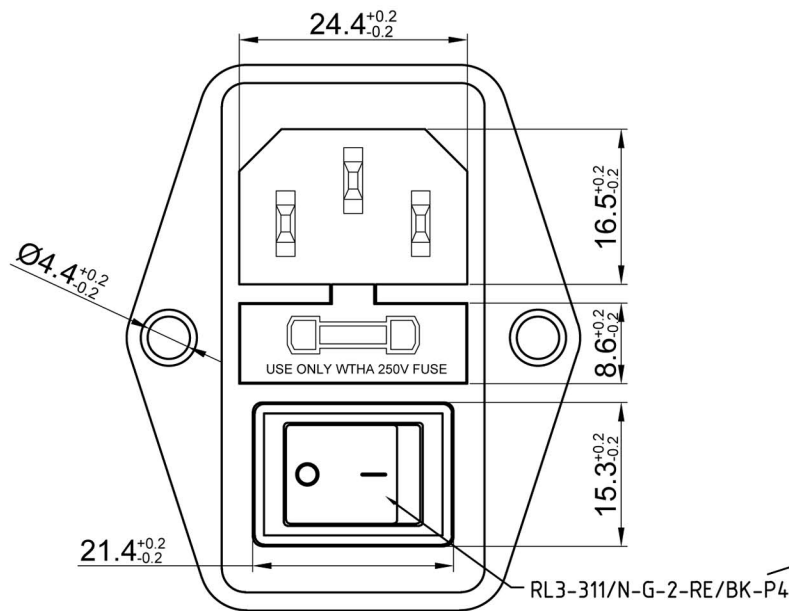


PANEL HOLE SIZE



SPECIFICATIONS

1. RATING:10A 250VAC
2. INSULATION RESISTANCE:DC 500V 100M OHMS Min
3. DIELECTRIC STRENGTH:2000VAC/1 Minute
4. HOUSING MATERIAL:Nylon 66 UL 94v-2 or 94v-0